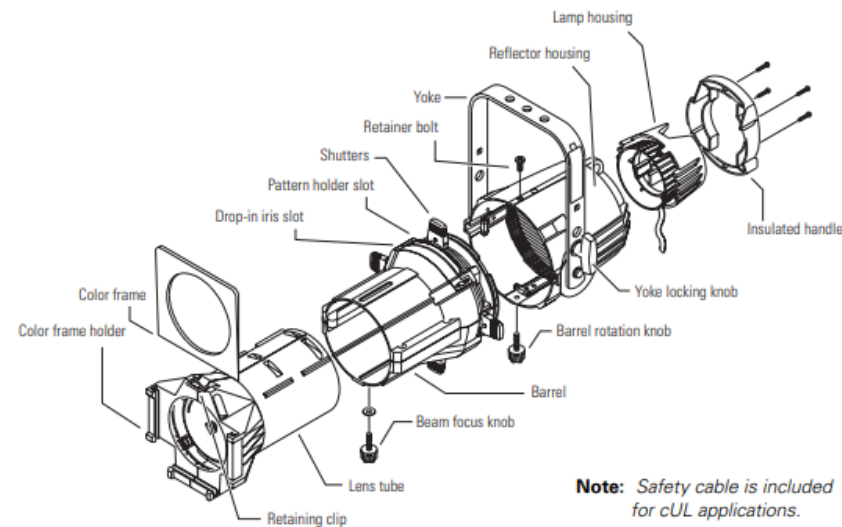


What Goes into Textured Lighting?

Textured Lighting is achieved with the use of “Lekos,” which are large conventional fixtures with stock steel gobos or fully custom gobos made in either steel or glass and optional color gels. This allows for a static, single fixed image with one color to be displayed over a surface. After final setup, they are still capable of being dimmed or turned off/on during the event. Lekos can be rigged onto existing structures in the event space, depending on venue policies and availability of weight bearing structures (ex. tent beams, airwall tracks, truss, etc.), or onto a vertical freestanding “boom and base,” via a c-clamp, mega-coupler, or purlin clamp attached to the yoke of the fixture



Fixture schematic. [Image Source](#)